

S-5!TM

The Right Way!

VERSABRACKETTM



VersaBracketTM

VersaBracketTM can be used to mount virtually anything to a face-fastened roof system and is compatible with almost any trapezoidal, face-fastened profile. No messy sealants to apply! No chance for leaks! The VersaBracketTM comes with factory-applied sealant already in the base for a water-tight attachment.

Installation is simple! VersaBracketTM is mounted in the flat of the panel, directly into the supporting structure of the roof, i.e. wood decking, wood or steel purlins or trusses. No surface preparation is necessary; simply wipe away excess oil and debris, peel the release paper from the base, align and apply. Secure through the pre-punched holes using the appropriate screws for the supporting structure.

VersaBracketTM is so strong, it will even support heavy-duty applications like snow retention. For face-fastened, trapezoidal profiles, the VersaBracketTM is the perfect match for our ColorGard[®] or RamGardTM snow retention systems (For corrugated roofs use CorruBracketTM). VersaBracketTM is extremely economical and facilitates quick and easy installation.

You asked for it! We've got it! Now attach the strongest snow guard on the market, S-5!TM ColorGard[®] to face fastened metal roofing with the S-5!TM VersaBracketTM



Example Uses

S-5-PV Kit



RamGardTM



ColorGard[®]

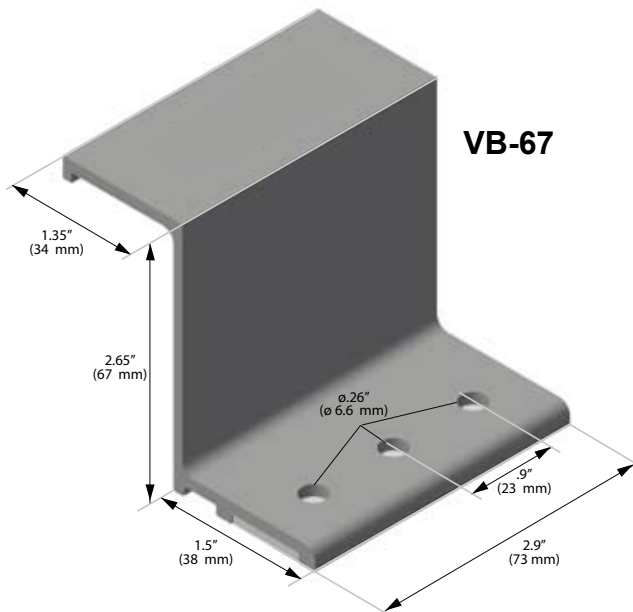


Attach almost **anything** to standing seam metal roofs without piercing the panel!

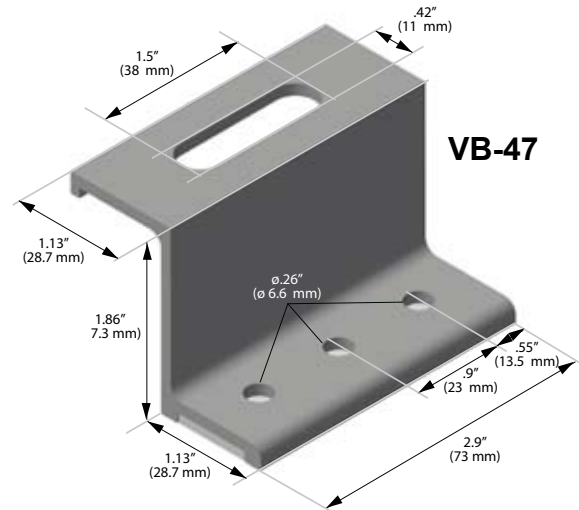
888-825-3432

www.S-5.com

VersaBracket™



VB-67



VB-47

3 holes are provided for convenience and versatility. Not all holes need to be used.

Due to varied applications, mounting hardware is not furnished with part.

To accommodate various rib heights, VersaBracket™ comes in two heights—the 2.65" VB-67 and the 1.86" VB-47. The VB-67 mounting face has no holes or slots, thus, ancillary items are typically secured using self-tapping screws. The VB-47 offers various mounting face configurations with minimum purchase requirements. (Contact your distributor for available configurations.) Each VersaBracket™ comes with factory-applied butyl sealant in the base. A structural aluminum attachment bracket, VersaBracket™ is compatible with most common metal roofing materials. For design assistance, ask your distributor, or use our web-based calculator at www.S-5.com for job-specific system engineering and design of your next snow retention project. Also please visit our website for more information including CAD details, metallurgical compatibilities and specifications.

Example Profile



The VersaBracket™ has been tested for load-to-failure results on wood decking, metal and wood purlins. The independent lab test data found at www.S-5.com can be used for load-critical designs and applications. S-5!™ holding strength is unmatched in the industry.

VersaBracket™ is versatile! It can be used for virtually any attachment need, including S-5!™ ColorGard®, on all types of face-fastened metal roofing. No messy sealants to apply. The factory-applied butyl sealant waterproofs and makes installation a snap!



S-5!™ Warning! Please use this product responsibly!

Products are protected by multiple U.S. and foreign patents. For published data regarding holding strength, bolt torque, patents and trademarks visit the S-5!™ website at www.S-5.com.

Copyright 2009, Metal Roof Innovations, Ltd. S-5!™ products are patented by Metal Roof Innovations, Ltd.

Distributed by